

FURRION

17" 2-IN-1 RANGE OVEN WITH WIRED GRILL

+ DRAWER (OPTION)

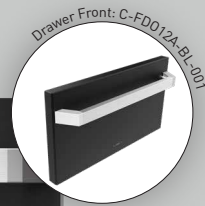
FSRE17SA



FSRE17SA-BL



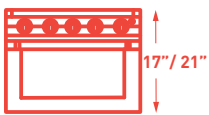
Drawer: FDO12A-BL



FSRE17SA-SS



Drawer: FDO12A-SS



PROFILE OPTIONS



OVEN LIGHT BULB



LED KNOB



IMPROVED HEAT
DISTRIBUTION



BROILER
FUNCTION

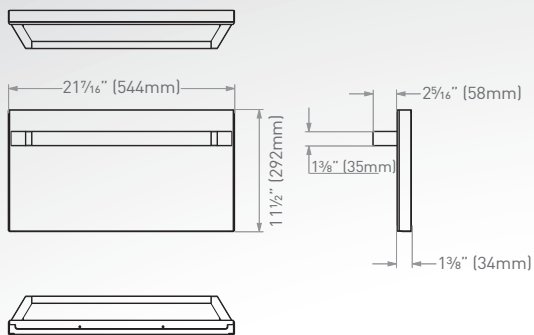


COOKING GRATE OPTION
(C-FSRE21SA-002)

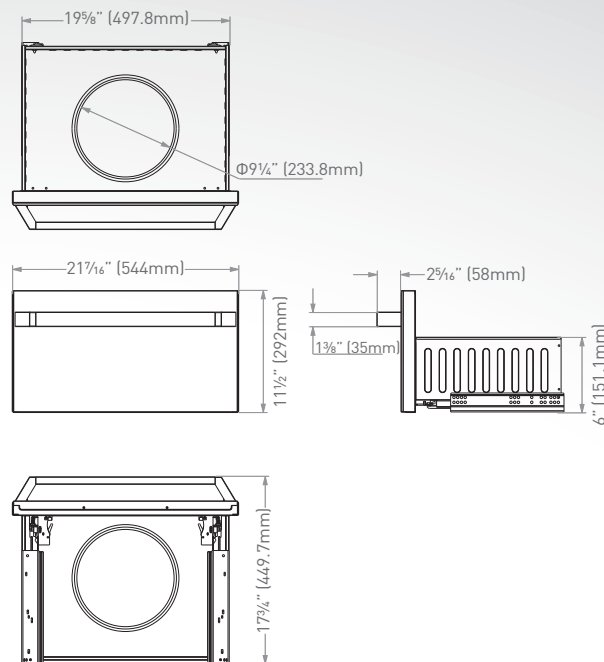


FSRE17SA | 17" 2-IN-1 RANGE OVEN WITH WIRED GRILL (DRAWER OPTION)

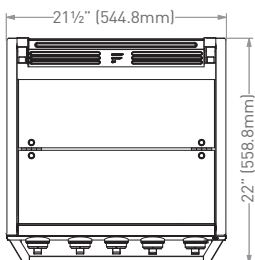
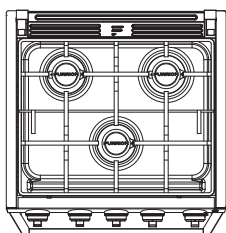
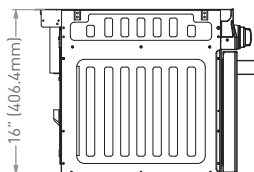
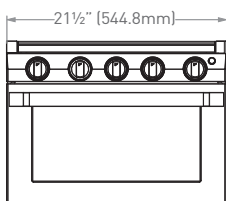
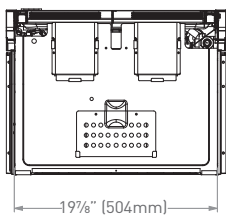
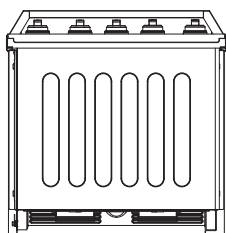
Oven Drawer (front only)
(C-FD012A-BL/SS-001)



Oven Drawer
(FD012A-BL/SS)



Range Oven
(FSRE17SA-BL/SS)



Top view without glass cover



FSRE17SA | 17" 2-IN-1 RANGE OVEN WITH WIRED GRILL (DRAWER OPTION)

Part No.	Product Description
FSRE17SA-BL/SS	17" Range oven stainless steel with top glass, black/stainless steel
C-FD012A-BL/SS-001	Oven drawer front only, stainless steel, black/stainless steel
FD012A-BL/SS	Oven drawer for 17" Range oven & 21" Range oven, black/stainless steel

Note: All are sold separately

Specifications

Heat input

Left Cooktop Burner	6500 BTU
Front Cooktop Burner	8000 BTU
Right Cooktop Burner	6500 BTU
Oven Burner	7100 BTU

Pulse Ignition	√
Cavity Light	12V
LED Manual Knob	√
Gas Safety Cut-off Valve	√
Triple Layer Glass Door	3-layer glass for the oven door
Glass Cover	2pcs slide form

Dimensions

Range Oven (L x H x W)	21½" x 16" x 22" (544.8 x 406.4 x 558mm)
Drawer (L x H x W)	21⅞" x 11½" x 17¼" (544 x 292 x 449.7mm)

Packaging Information (Range Oven)

Packaging Type	Brown Box
Quantity Per Box (pcs)	1
Individual Packaging Dimensions (L x H x W)	24 ¹³ / ₁₆ " x 19 ¹⁵ / ₁₆ " x 25" (630 x 505 x 635mm)
Individual Packaging Gross Weight (kg/lbs)	29.2 / 64.4
Individual Packaging Net Weight (kg/lbs)	26.3 / 58.0

Container Load Information

40'HQ Container Load (pcs)	286
----------------------------	-----

Packaging Information (Drawer)

Packaging Type	Brown Box
Quantity Per Box (pcs)	1
Individual Packaging Dimensions (L x H x W)	22 ⁵ / ₈ " x 13" x 18 ¹ / ₁₆ " (574 x 330 x 474mm)
Individual Packaging Gross Weight (kg/lbs)	12 / 26.5
Individual Packaging Net Weight (kg/lbs)	9 / 19.8

Container Load Information

40' Container Load (pcs)	650
--------------------------	-----

Packaging Information (Drawer front)

Packaging Type	Brown Box
Quantity Per Box (pcs)	6
Individual Packaging Dimensions (L x H x W)	22½" x 12½" x 2⅜" (570 x 316 x 60mm)
Individual Packaging Gross Weight (kg/lbs)	
Individual Packaging Net Weight (kg/lbs)	

Container Load Information

20' Container Load (pcs)	1500
40' Container Load (pcs)	3200
40' HQ Container Load (pcs)	3700