

FURRION



DV7100

Entertainment System



VIBRATION SMART
Vibrationsmart
Designed and tested for vibration resistance



CLIMATE SMART
Climatesmart Designed and tested for extreme climates



SIGNAL SMART
SignalSMART
Anti-interference static filters



NFC quick-touch device pairing



USB interface (MP3/WMA)



Front auxiliary in



Subwoofer output



Bluetooth wireless connectivity



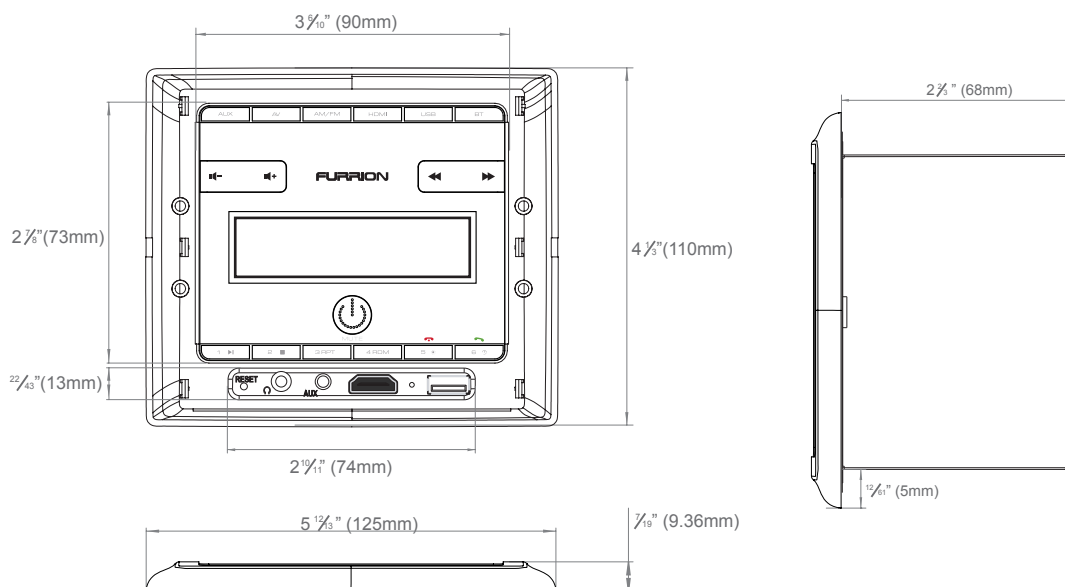
Front Access HDMI input



FURRION App Control

DV7100

Entertainment System



Specifications

Front Panel Type	Fixed	Display Backlight Color	White
Support Media Format	MP3/WMA	Key Illumination Color	White
Tuner Type	AM & FM	Rotary Volume Control	•
Number of Preset Station	30	Accessories Inclusive	Harness Manual Warranty Card
RDS	•	Power Output (Watt)	2 x 30Watt (Max)
USB	√	Power Connector Type	8-pin
USB Charge (500mA)	√		
Card Reader	•		
AUX-IN	√		
AUX-IN Video Support	•		
HDMI-IN	√		
Bluetooth	√		
Bluetooth Version	4.0		
NFC	√		
Number of RCA (Audio LR) Input at Rear Panel	2		
Number of RCA (Audio LR) Output at Rear Panel	1		
Number of Video Input at Rear Panel	1		
Number of Video Output at Rear Panel	1		
Number of Subwoofer Output at Rear Panel	1		
Number of HDMI Output at Rear Panel	1		
Number of Optical Audio Input at Rear Panel	•		
Number of Coaxial Audio Input at Rear Panel	•		
Number of Camera Input at Rear Panel	•		
Display Type	LCD		
Display Size (inch)	2.7"		

Packaging Information

Packaging type	Color Gift Box
Quantity per Gift Box	1
Individual Packaging Dimensions	6.02" x 5.16" x 5.47"
Individual Packaging Gross Weight	1.1 lb (0.5 kg)
Individual Packaging Net Weight	0.9 lb (0.4 kg)

Master Carton

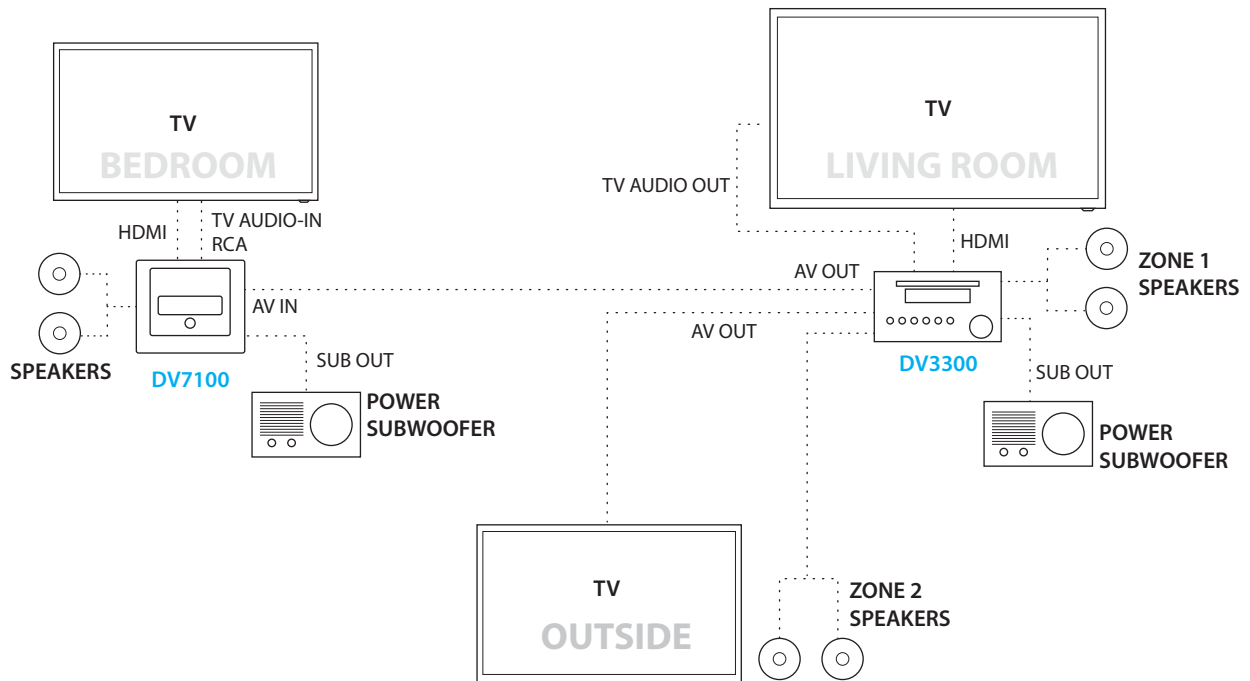
Packaging type	Master Carton Box
Quantity per box	6
Master Carton Dimensions	18.78" x 10.79" x 6.06"
Master Carton Gross Weight	7.8 lb (3.5 kg)
Master Carton Net Weight	5.3 lb (2.4 kg)

* Note: "√"=Equipped "•" = Not available



3-Zone Wiring (3 TV's)

DV3300 & DV7100 Entertainment System



3-Zone Wiring (2 TV's)

DV3200 & DV7000/DV7100 Entertainment System

