

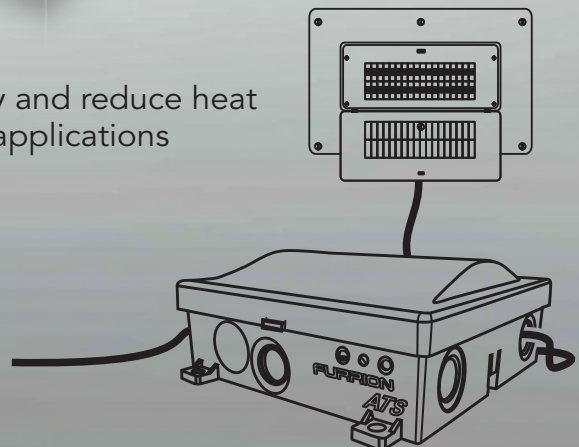
FURRIION

30 Amp AUTOMATIC TRANSFER Switch F30-ATS



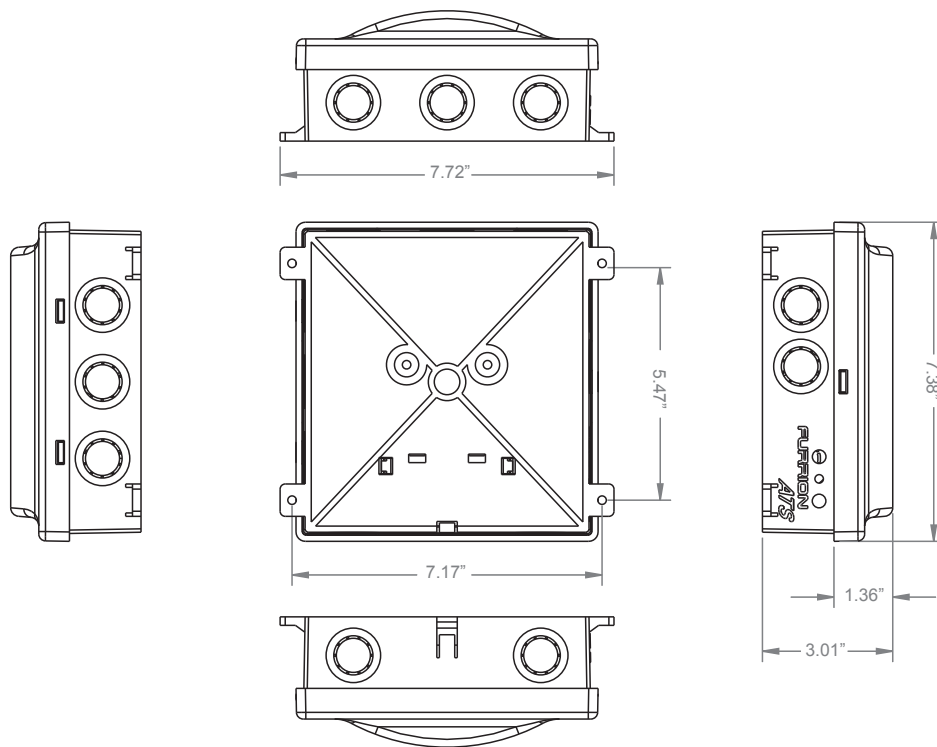
125
VAC

- Solid brass terminals used to increase conductivity and reduce heat
- Vibration resistant terminals designed for mobile applications
- UL94 Flame retarded enclosure
- External and internal easy mount holes
- Safety mechanical interlock between contactors
- Nickel plated terminals (for corrosion resistance)
- Designed for mobile applications
- Certified to UL Standards UL1008
- Easy install instructions on lid



Furrion's 30Amp ATS is used to transfer automatically between Shorepower and Generator electrical feeds. The ATS is activated once a electrical feed from the Generator is sensed. Furrion's ATS uses a 20-30sec time delay for generator to run up to idle speed before automatically switching from shorepower.

30 Amp AUTOMATIC TRANSFER Switch F30-ATS



Specification

Rated Amps	30Amp
Rated Voltage	125 AC
Rated Frequency	60Hz
Max Watts	3750W
Number of Poles	1 pole
Short Circuit Rating	5000A
Switch Type	Relay
Casing Material	UL 94 Fireproof Plastic

Features

Type of terminals	Screw
Grounding terminal	✓
Low Arch Silver Terminals	✓
30sec Gen time delay	✓
Timer By Pass switch	✓
Mechanical interlock	✓
Number of cable entry positions	10
Minimum Cable size	10AWG x 3
Certification	UL1008

Packaging Information

Packaging type	Master carton box
Quantity per level 1 (pcs)	1
Individual Packaging Dimensions	10.24" x 10.24" x 5.91"
Individual Packaging Gross Weight (kg)	1.16kg
Individual Packaging Net Weight (kg)	0.79kg

Master Carton

Packaging type	Master Carton Box
Quantity per box	4
Master Carton Dimensions	20.87" x 11.02" x 12.60"
Master Carton Gross Weight (kg)	5.44kg
Master Carton Net Weight (kg)	3.16kg

