

FURRION

32 Amp F32INX-XX INTERNATIONAL POWER INLET



Powersmart™
Voltage indicator



Furrion's new shore power inlets are modern and sleek with a futuristic look and feel. These inlets are manufactured to withstand harsh marine environments and constructed with high quality marine-grade materials. These stylish inlets feature a voltage indicating LED to show a live connection.

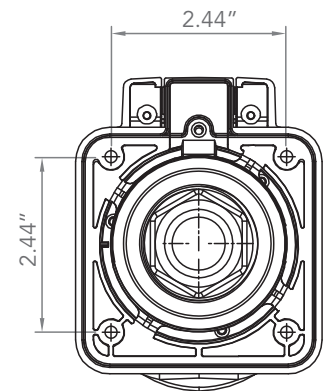
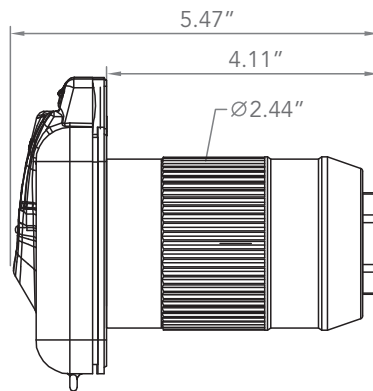
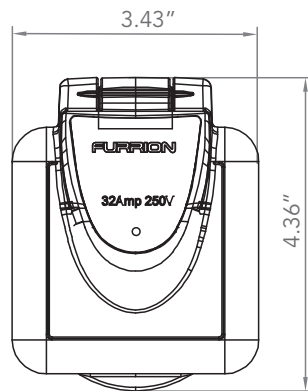


Universal fit
with all other brands!

- * Furrion's Powersmart LED indicator
- * Furrion's Sleek, modern design
- * Available in polished stainless steel or fibre filled UV Polyester materials
- * Universal fit for industry standards

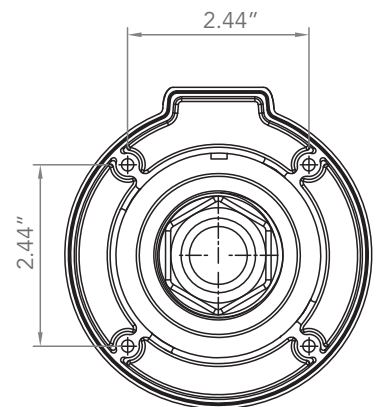
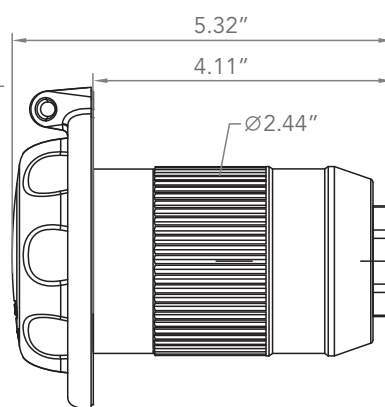
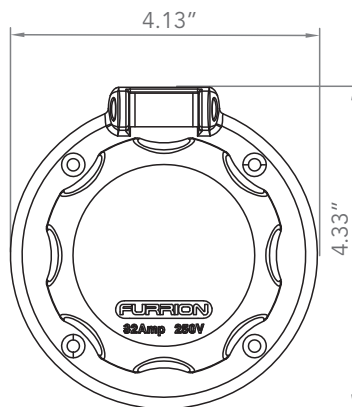
32 Amp F32INX-XX INTERNATIONAL POWER INLET

F32INS-PS



F32INS-SS

*Stainless steel inlet does not include LED



Specifications

Plastic inlet

Logo plate 316 marine grade Stainless Steel
Outer casing Fibre filled UV stabilized polyester

Stainless steel inlet

Outer casing: Hand polished 316L marine grade stainless steel

Rear and internal parts

Plug Inserts PC (CTI greater than 600v)
Rear enclosure PA - UL flammability rating 94v-0
Terminals and pins Nickel plated brass pins for corrosion resistance

Product Packaging Information(F32INS-PS)

Packaging type	Blister	Master Carton Box
Quantity per box	1	16
Master Carton Dimensions	5.71"x5.71"x8.03"	17.52"x13.19"x19.69"
Master Carton Gross Weight (kg)	0.46	9.50
Master Carton Net Weight (kg)	0.40	6.50

Product Packaging Information (F32INS-SS)

Packaging type	Gift box	Master Carton Box
Quantity per box	1	16
Master Carton Dimensions	5.75"x3.07"x7.28"	14.37"x13.19"x17.72"
Master Carton Gross Weight (kg)	0.81	16.50
Master Carton Net Weight (kg)	0.66	10.50

