

# FURRION

## Left/Right Side **CMOS** CAMERA

FCL48TDBK-BL / FCR48TDBK-BL



CMOS  
Sensor

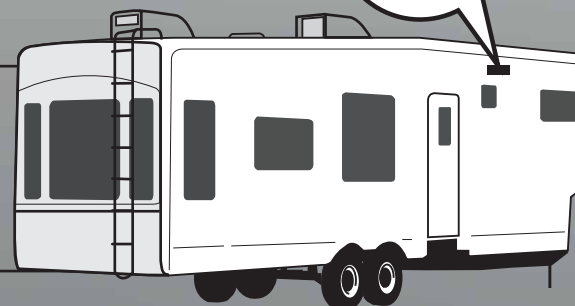


170 Degree  
View Angle



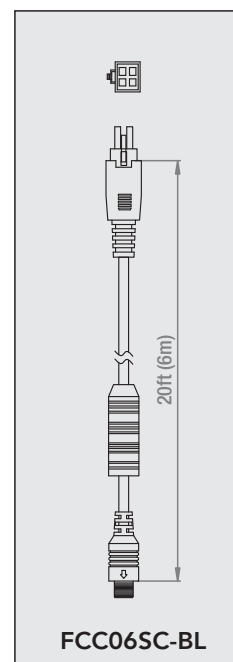
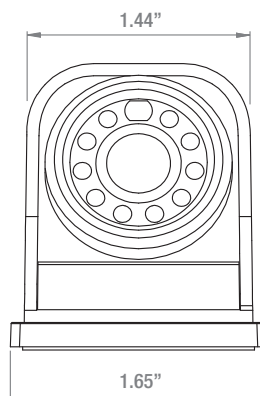
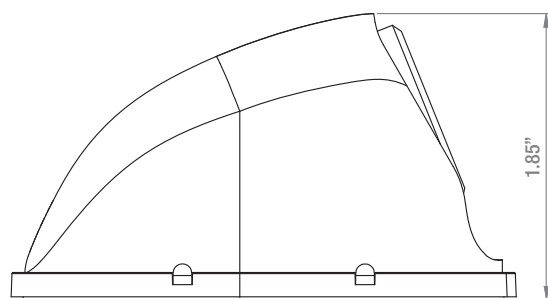
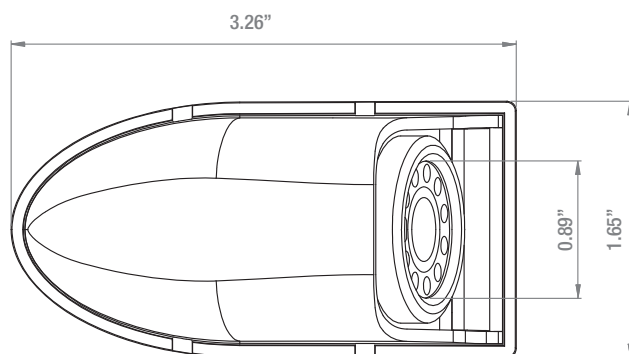
IP66  
Waterproof

- Superb CMOS sensor giving you outstanding picture quality.
- IP66 water and dust proof for ultimate reliability.
- IR LEDs enabling night vision in low light conditions.
- Miniature design to match perfectly with your vehicle.



## Left/Right Side CMOS CAMERA

FCL48TDBK-BL / FCR48TDBK-BL



### Specifications

Input voltage	12V
Input current	30-60mA
Average power consumption	<1W
The IP rating	IP66
Image sensor	CMOS
Signal system	analog signals
TV line	420line
Effective pixels	648*488 picels for NTSC
Scanning system	1/50Hz, 1/60Hz
Pixel size	6.0mm*6.0mm
IR LED	10 PCS
View angel	170 dregree
Night vision distance	26ft
Minimum illumination	0.1lux (LED ON)
Lens	1.8mm
Signal to noise ratio	>48db
Shutter speed	1/10000second

Video output	1.0vp-p.75ohm
Video cable	18"

### Packaging Information

Packaging type	White Box
Quantity per box	1
Individual Packaging Dimensions	4.13" x 3.35" x 3.15"
Individual Packaging Gross Weight (kg)	0.18
Individual Packaging Net Weight (kg)	0.12

### Master Carton

Packaging type	Master Carton Box
Quantity per box	72
Master Carton Dimensions	16.54" x 12.20" x 13.39"
Master Carton Gross Weight (kg)	9.7
Master Carton Net Weight (kg)	8.7

