

FURRIION

50" LED FHD TV FEFS50K9A



Designed and tested
for extreme climates



Designed and tested
for vibration resistance



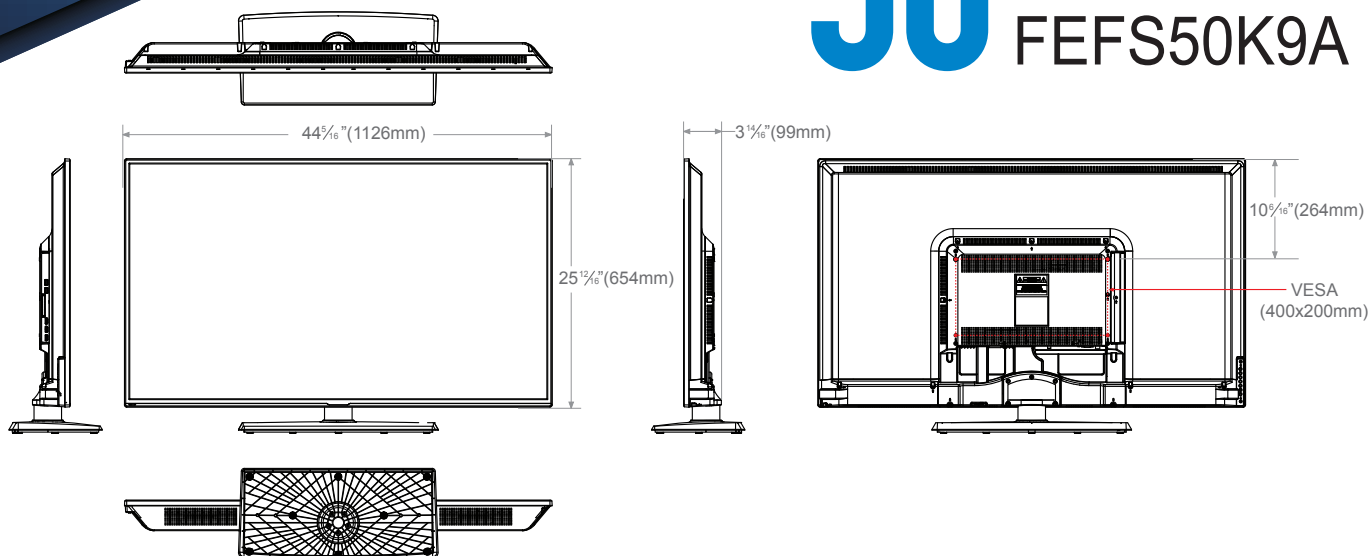
Full 1080P
High Definition



Communicates with
Furrion RV series stereo's

- * Vibrationsmart - designed and tested for vibration resistance
- * Climatesmart - designed and tested for extreme climates
 - * Furrion smart link communication
 - * Front or side access buttons
 - * Custom Furrion upgraded speakers and amplifier
- * Added Led strips for extra brightness and picture quality

50" LED FHD TV FEFS50K9A



Panel Specifications

Screen Size	50"
Resolution	1920 x 1080
Refresh Rate	60Hz
Contrast Ratio	4000:1
View Angle	178 degree/178 degree

Broadcasting System

Analog	NTSC
Digital	ATSC

Audio

Mono/Stereo/Dual (MTS/SAP)	√
Audio Output (Watts - THD 10%)	10W x 2
Speaker System	1 Way 2 Speakers
Dolby Digital Decoder	√
Surround System	√
Bass/Treble/Balance	√
Auto Volume Leveler	√
Sound Mode	5 Modes

Special Features

Smart Energy Saving	√
1080p Source Input	HDMI 60p/30p/24p Component 60p/30p/24p RGB 60p/30p/24p
Input Labeling	√
Child Lock	√
Closed Caption	√
ARC Audio out	√
Smartlink (HDMI CEC)	√

Convenience Features

Language	English/Spanish/French/Portuguese
Auto Tuning/Programming	√
Channel Add/Delete	√
Favorite Channel Programming	√
Auto/Manual Clock	√
On/Off Timer	√
Sleep Timer	√
Auto Off (Sleep)	√

AV Inputs & Outputs

Number of HDMI Input	3
Number of D-Sub (VGA) Input	1
Number of Component (YPbPr) Input	1
Number of Composite AV Input	1
Number of Antenna (RF) Input	1
Number of USB Input	1
Number of Audio LR Output	1
Number of 3.5mm Headphone Output	1
Number of Coaxial Audio Output	1

Cabinet

Vesa Compatible	400 x 200mm
-----------------	-------------

Dimensions/Weight

TV without Stand(WxHxD)	44.33" x 3.90" x 25.75"
TV with Stand(WxHxD)	44.33" x 9.65" x 28.39"
Shipping Dimensions (WxHxD)	47.40" x 6.69" x 29.33"
Shipping Weight(kg)	15

* Note: "√"=Equipped

Certified to 1.6G

