

FURRION

3" OUTDOOR MARINE SPEAKER WITH MOUNT

FMS3X

FMS3B

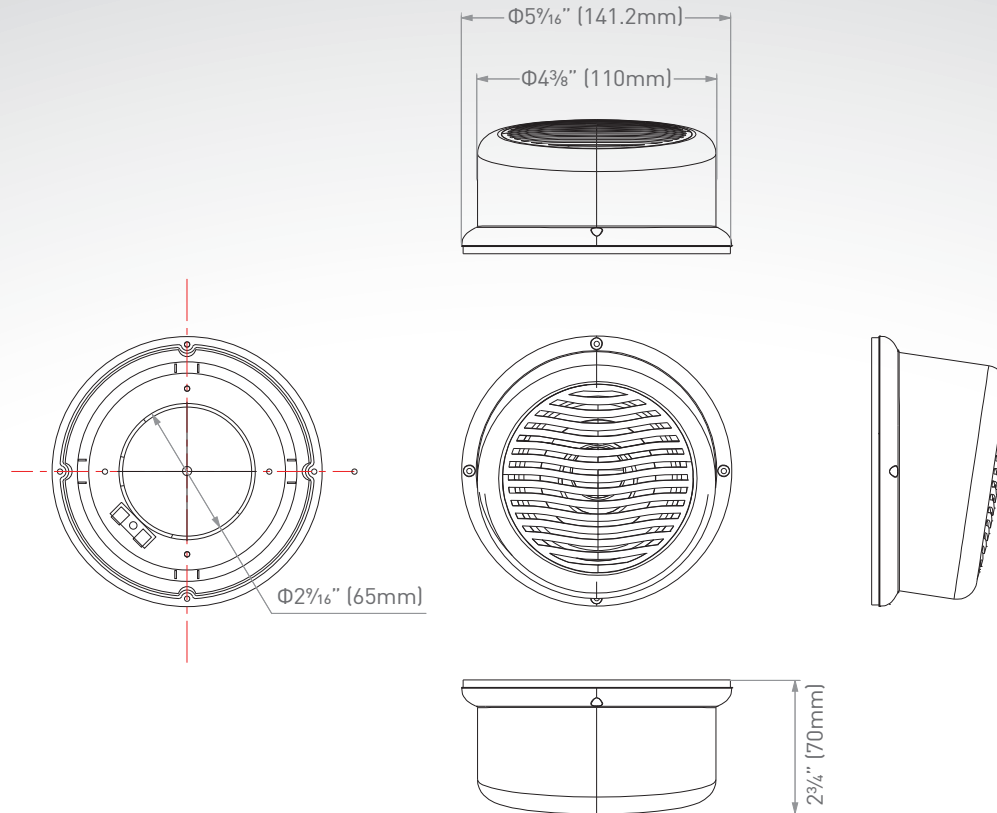
FMS3W



- Audio optimized for recreational vehicles
- PP reinforced cone extends frequency response and minimizes distortion; this controls rigidity and internal damping, delivering high definition audio with pure, distinct sound



FMS3X | 3" OUTDOOR MARINE SPEAKER WITH MOUNT



Specifications

| | |
|------------------------------|-------------------------|
| Voice Coil Electro Impedance | 4Ω@1kHz 1V |
| Resonance Frequency | 130±20% Hz |
| Output Sound Pressure Level | 83dB |
| Characteristic Sensitivity | ±3dB |
| Effective Frequency Band | Fo~20kHz |
| Harmonic Distortion | 5% < 1W ≥ 130~10kHz |
| Power Usage | Left "+", Right "-" |
| Temperature Range | -20 °C to +70 °C |
| Max Power | 20W |
| Product Compatibility | Furrion stereo products |

Packaging Information

| | |
|---|---|
| Packaging Type | Brown Box |
| Quantity (pcs) | 1 |
| Individual Packaging Dimensions (L x H x W) | 6 1/2" x 5 1/16" x 3" (165 x 150 x 75mm) |
| Individual Packaging Gross Weight (kg/lbs) | 0.5/1.1 |
| Individual Packaging Net Weight (kg/lbs) | 0.4/0.9 |

Master Carton

| | |
|--------------------------------------|---|
| Packaging Type | Master Carton Box |
| Quantity Per Box | 24 |
| Master Carton Dimensions (L x H x W) | 18 5/16" x 13 5/16" x 12 3/16" (465 x 338 x 325mm) |
| Master Carton Gross Weight (kg/lbs) | 12.9/28.4 |
| Master Carton Net Weight (kg/lbs) | 10.9/24.0 |