

FURRIION

REAR FOS48TDBK-BL

CMOS CAMERA



CMOS
Sensor

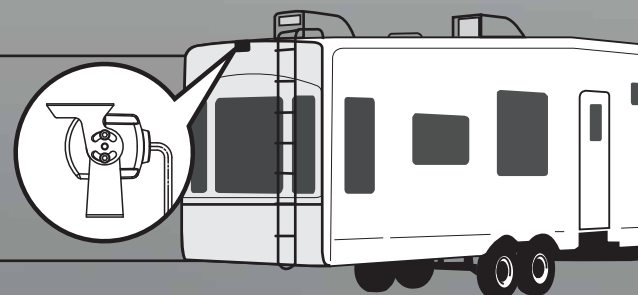


170 Degree
View Angle

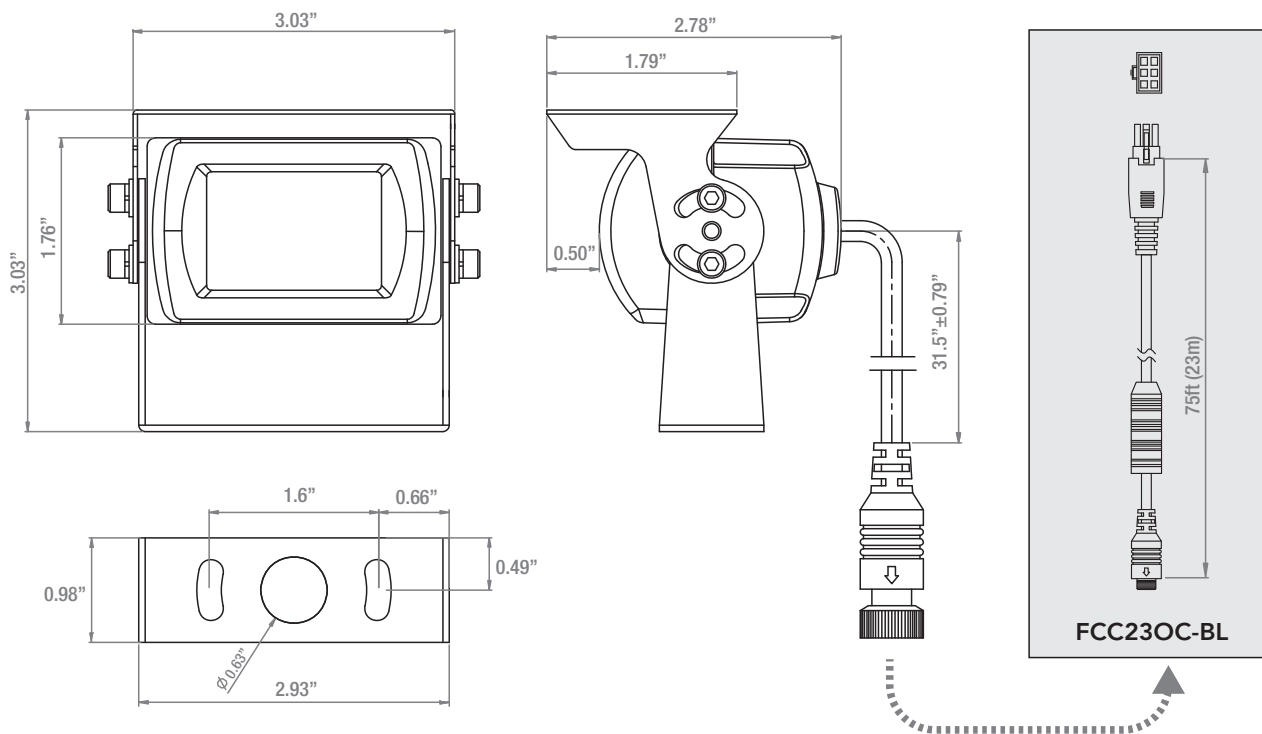


IP69K
Waterproof

- Superb CMOS sensor giving you outstanding picture quality.
- IP69K compliant for reliability performance at all conditions.
- IR LEDs enabling night vision in low light conditions.
- Wide angle lens for your maximum vision.



REAR FOS48TDBK-BL CMOS CAMERA



Specifications

Input voltage	12V
Input current	80-140mA
Average power consumption	<2W
The IP rating	IP69K
Image sensor	CMOS
Signal system	analog signals
TV line	420line
Effective pixels	648*488 picels for NTSC
Scanning system	1/50Hz,1/60Hz
Pixel size	6.0mm*6.0mm
IR LED	18 PCS
View angel	170 dregree
Night vision distance	52ft
Minimum illumination	0.1lux (LED ON)
Lens	1.8mm
Signal to noise ratio	>48db
Shutter speed	1/10000second

Video output	1.0vp-p.75ohm
Microphone	For Audio output
Video cable	21.5"

Packaging Information

Packaging type	Color Gift Box
Quantity per level 1 (pcs)	1
Individual Packaging Dimensions	4.13" x 3.35" x 3.15"
Individual Packaging Gross Weight (kg)	0.37
Individual Packaging Net Weight (kg)	0.31

Master Carton

Packaging type	Master Carton Box
Quantity per box	50
Master Carton Dimensions	16.54" x 12.20" x 13.39"
Master Carton Gross Weight (kg)	19.4
Master Carton Net Weight (kg)	18.4

