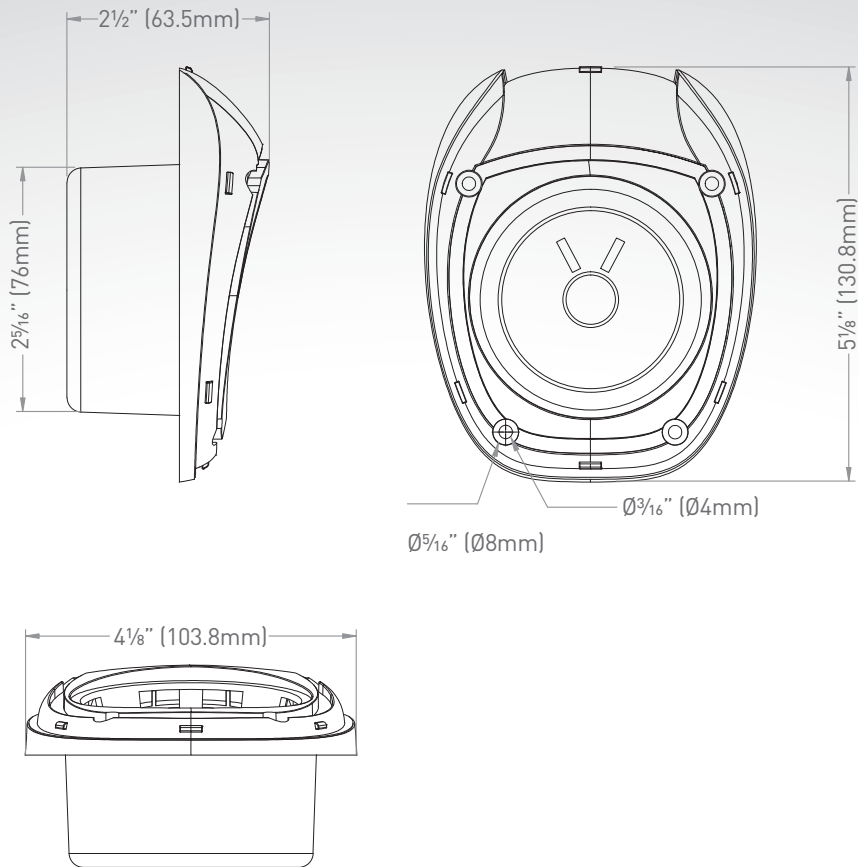




- Audio optimized for recreational vehicles
- PP reinforced cone extends frequency response and minimizes distortion; this controls rigidity and internal damping and delivers high definition audio with a pure, distinct sound



3" WALL MOUNT SPEAKER | FS3X



Specifications

| | |
|------------------------------|-------------------------|
| Voice Coil Electro Impedance | 4Ω@1kHz 1V |
| Resonance Frequency | 130±20% Hz |
| Output Sound Pressure Level | 83dB |
| Characteristic Sensitivity | ±3dB |
| Effective Frequency Band | Fo~18kHz |
| Harmonic Distortion | 5% < 1W |
| | ≥ 130~10kHz |
| Power Usage | Left "+", Right "-" |
| Temperature Range | -20 °C to +70 °C |
| Max Power | 15 W |
| Product Compatibility | Furrion stereo products |

Packaging Information

| | |
|---|---|
| Packaging Type | Brown Box |
| Quantity (pcs) | 1 |
| Individual Packaging Dimensions (L x H x W) | 6" x 4 7/16" x 2 7/8" (152 x 112 x 72mm) |
| Individual Packaging Gross Weight (kg/lbs) | 0.44/0.97 |
| Individual Packaging Net Weight (kg/lbs) | 0.39/0.86 |

Master Carton

| | |
|--------------------------------------|---|
| Packaging Type | Master Carton Box |
| Quantity Per Box | 24 |
| Master Carton Dimensions (L x H x W) | 19 15/16" x 12 1/4" x 15 9/16" (358 x 324 x 330mm) |
| Master Carton Gross Weight (kg/lbs) | 10.7/23.6 |
| Master Carton Net Weight (kg/lbs) | 9.6/21.2 |